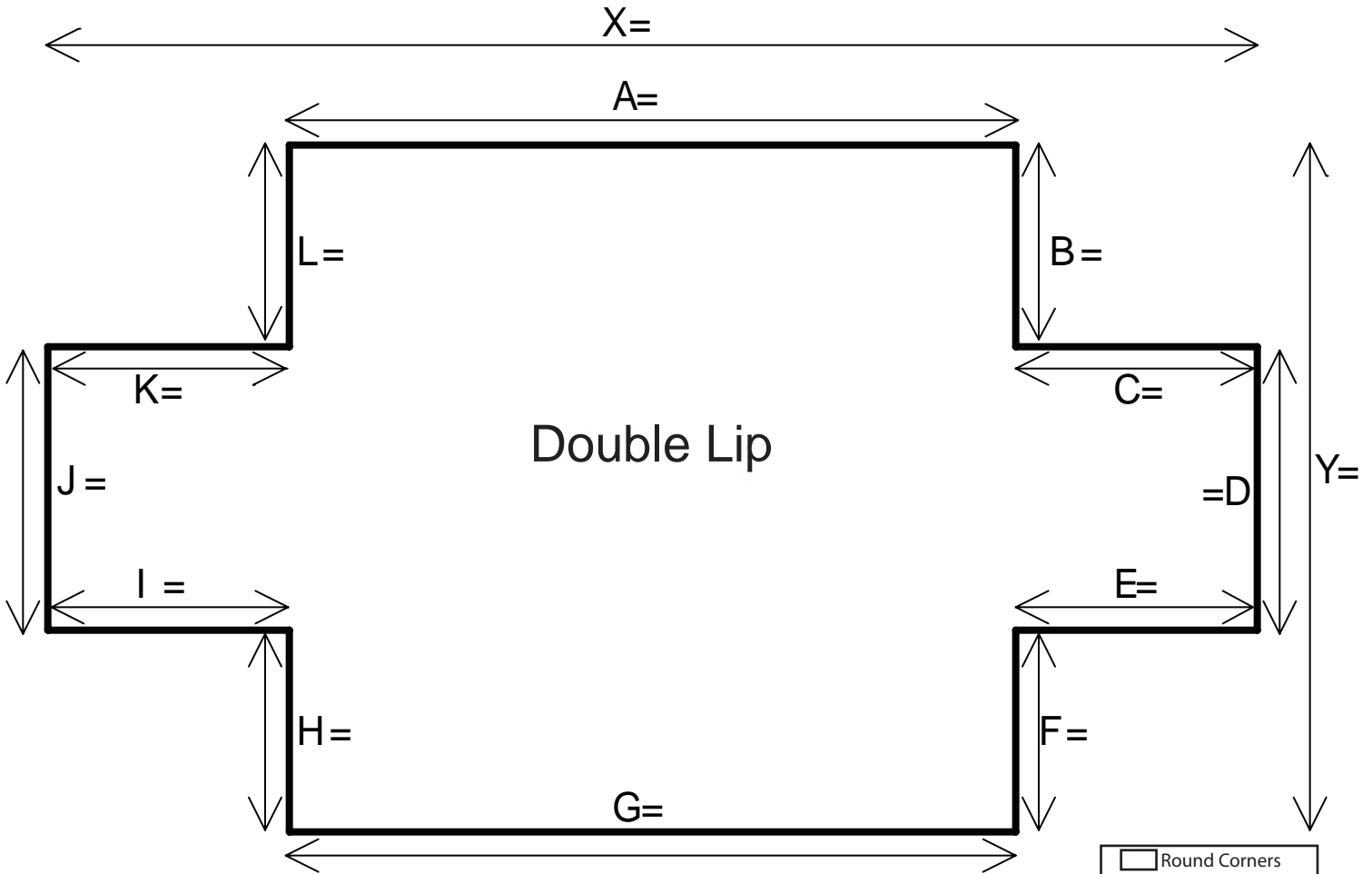


TEL# 877-269-1248

FAX# 714-596-2866

## CUSTOM DOUBLE LIP TEMPLATE



- Round Corners
- Straight Corners
- Beveled Edge
- Noted on DWG

### STANDARD SIZES TO CUT FROM

- |                                  |                                   |                                 |                                |                                  |                                  |
|----------------------------------|-----------------------------------|---------------------------------|--------------------------------|----------------------------------|----------------------------------|
| 36x48 <input type="checkbox"/>   | 45x53 <input type="checkbox"/>    | *46x60 <input type="checkbox"/> | 48x48 <input type="checkbox"/> | 48x60 <input type="checkbox"/>   | 48x72 <input type="checkbox"/>   |
| 48x96 <input type="checkbox"/>   | 60x60 <input type="checkbox"/>    | 60x72 <input type="checkbox"/>  | 60x96 <input type="checkbox"/> | *60x120 <input type="checkbox"/> | **72x72 <input type="checkbox"/> |
| **72x96 <input type="checkbox"/> | **72x120 <input type="checkbox"/> |                                 |                                |                                  |                                  |
- \* (ROLLAMAT, SUPERMAT, NON-STUDDED ONLY)  
 \*\* (ULTRAMAT AND ROLLAMAT ONLY)

### PLEASE CHECK YOUR MAT TYPE BELOW

- |  |  |   |  |  |   |  |
|--|--|---|--|--|---|--|
| <input type="checkbox"/> EXECUMAT<br>300 mil | <input type="checkbox"/> ULTRAMAT<br>220 mil | <input type="checkbox"/> GLASS CLEAR<br>220 mil | <input type="checkbox"/> ROLLAMAT<br>190 mil | <input type="checkbox"/> SUPERMAT<br>150 mil | <input type="checkbox"/> NON STUDDED<br>150 mil | <input type="checkbox"/> ANTISTATIC<br>145 mil |
|--|--|---|--|--|---|--|

VISA  MC  AMEX  DISC  CARD # \_\_\_\_\_ EXP(MM/YYYY) \_\_\_\_\_

BILL TO \_\_\_\_\_  
 ADDRESS \_\_\_\_\_  
 \_\_\_\_\_  
 CITY, STATE, ZIP \_\_\_\_\_  
 PHONE/FAX \_\_\_\_\_  
 EMAIL \_\_\_\_\_

SHIP TO \_\_\_\_\_  
 SAME AS BILL TO \_\_\_\_\_  
 \_\_\_\_\_  
 \_\_\_\_\_